

# KENWOOD

BALANCED CONNECTION ADAPTER

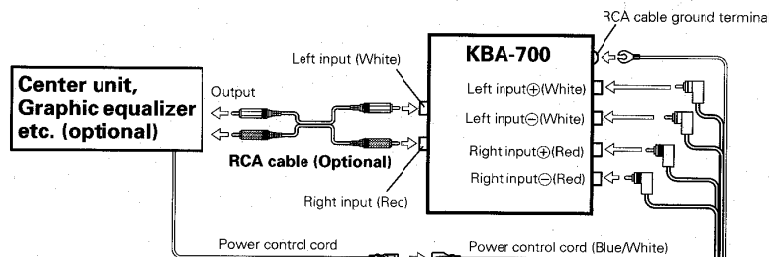
# KBA-700 INSTRUCTION MANUAL

KENWOOD CORPORATION

© PRINTED IN JAPAN B64-0802-00 (W) (MC) 96/11 10 9 8 7 6 5 4 3 2 1

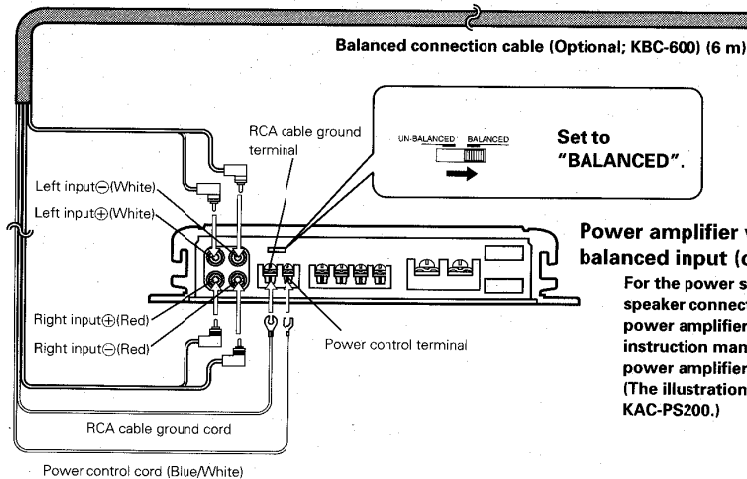
The KBA-700 makes it possible to transmit the audio output signals by separating the +/- signals of each channel independently when it is connected between the center unit and power amplifier. This allows to protect the transmitted signals against noise from other lines so that clearer signal reproduction is possible. Use the exclusive balanced connection cable (KBC-600) for the connection.

### Example of connection with a power amplifier equipped with balanced input system



#### NOTE

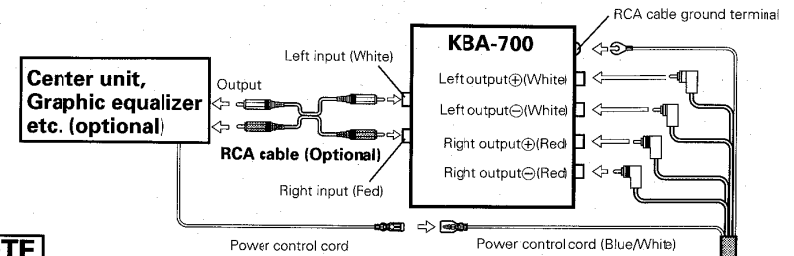
To reduce the influence of noise further, it is recommended to install the KBA-700 close to the center unit (or graphic equalizer, etc.). Also, it is strongly recommended to use the exclusive balanced connection cable for the connection with the power amplifier.



#### Power amplifier with balanced input (optional)

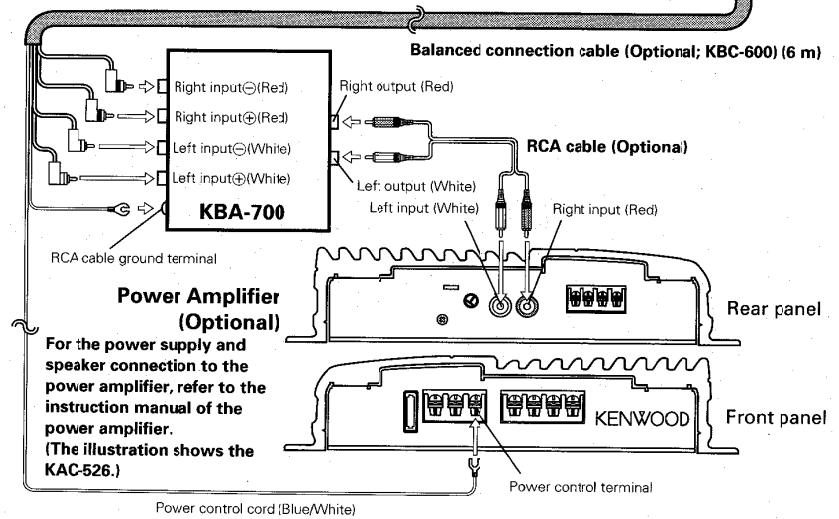
For the power supply and speaker connection to the power amplifier, refer to the instruction manual of the power amplifier. (The illustration shows the KAC-PS200.)

### Connection with other type of power amplifier (Two KBA-700 units are required in this case.)



#### NOTE

To reduce the influence of noise further, it is recommended to install the KBA-700 units close to the center unit (or graphic equalizer, etc.) and power amplifier respectively. Also, it is strongly recommended to use the exclusive balanced connection cable for the connection between the two KBA-700.



### Installation

